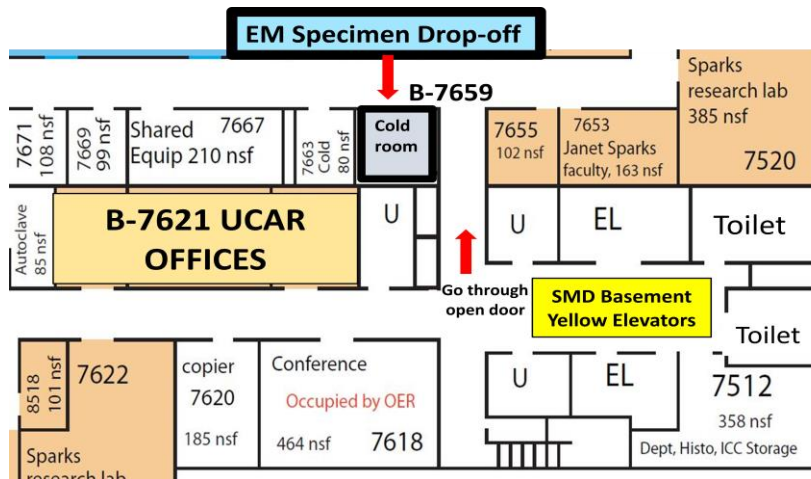


# **Electron Microscope-SRL**

**Due to Covid-19: No ONE is allowed to enter the EM-Shared Resource laboratory as social distancing must be maintained.**

**Please use the Specimen Drop-off Cold Room B-7659.**



- Researchers can also pickup EM Fixative and/or specimen vials in the cold room. Fill out the EM specimen paperwork (on outside of door with cell phone contact, account # and please list the specimens on it.) (look for signs on side wall of cold room in our middle corridor B-7659)**
- Communication with our clients:**  
We will use ZOOM for consultations and email or cell phones for questions regarding your specimen processing or orientation for embedding.
- The TEM suite is not designed to maintain social distancing during imaging sessions, therefore:  
All Transmission Electron Microscopy photography sessions will be done exclusively by Karen Bentley, the Director of the EM-SRL.  
However, if you would like to interact or facilitate any part of the imaging session, we could facilitate this using ZOOM or a cell phone app.**

**\*\*\*NOTE: Scanning Electron Microscopy cannot presently be done as the River Campus is closed.**